

ROBOTICS

Product manual, spare parts

IRB 7720



Trace back information:
Workspace 24C version a5
Checked in 2024-09-17
Skribenta version 5.5.019

Product manual, spare parts

IRB 7720

OmniCore

Document ID: 3HAC089606-001

Revision: B

The information in this manual is subject to change without notice and should not be construed as a commitment by ABB. ABB assumes no responsibility for any errors that may appear in this manual.

Except as may be expressly stated anywhere in this manual, nothing herein shall be construed as any kind of guarantee or warranty by ABB for losses, damage to persons or property, fitness for a specific purpose or the like.

In no event shall ABB be liable for incidental or consequential damages arising from use of this manual and products described herein.

This manual and parts thereof must not be reproduced or copied without ABB's written permission.

Keep for future reference.

Additional copies of this manual may be obtained from ABB.

Original instructions.

© Copyright 2024 ABB. All rights reserved.
Specifications subject to change without notice.

Table of contents

Overview of this manual	7
1 Definition of spare part levels	9
2 Spare parts - axis 1-3	11
2.1 Axis 1-3	11
2.2 Axis 1-3 protection type Foundry Plus	13
3 Spare parts - counter balancing weight	15
4 Spare parts - lower arm	17
4.1 Lower arm	17
4.2 Parallel rod	18
5 Spare parts - balancing device	19
6 Spare parts - upper arm excluding wrist	21
6.1 Upper arm excluding wrist	21
6.2 Upper arm parts	22
6.3 Upper arm extenders	25
7 Spare parts - wrist	27
7.1 Wrist complete	27
7.2 Wrist parts	28
8 Spare parts - electronic parts	31
8.1 Manipulator harness ax 1-6	31
8.2 Electrical parts	32
9 Spare parts - motors	33
9.1 Axis-1	33
9.2 Axis-2	34
9.3 Axis-3	35
9.4 Axis-4	36
9.5 Axis-5	37
9.6 Axis-6	38
10 Spare parts - gears	41
10.1 Axis-1	41
10.2 Axis-2	42
10.3 Axis-3	43
10.4 Axis-4	44
10.5 Axis-6	46
11 Spare parts - options	47
11.1 Motor cooling fan	47
12 Spare parts - accessories	49
12.1 Axis Calibration items	49
13 Spare parts - labels	51
14 Consumables and wear parts	55
14.1 Wear parts	55

This page is intentionally left blank

Overview of this manual

About this manual

This manual contains spare parts for:

- IRB 7720 and all its variants.

Usage

This manual shall be used as a complement to the product manual for IRB 7720 during:

- maintenance work
- repair work.

Who should read this manual?

This manual is intended for:

- maintenance personnel
- repair personnel.

Prerequisites

Maintenance/repair/installation personnel working with an ABB Robot must:

- be trained by ABB and have the required knowledge of mechanical and electrical installation/repair/maintenance work.

References

Documentation referred to in the manual, is listed in the table below.

Document name	Document ID
<i>Product manual - IRB 7720</i>	3HAC089605-001
<i>Product specification - IRB 7720</i>	3HAC089607-001
<i>Circuit diagram - IRB 7710/IRB 7720</i>	3HAC089629-001

Revisions

Revision	Description
A	First edition.
B	Published in release 24C. The following updates are done in this revision: <ul style="list-style-type: none"> • Added a guide ring to the balancing device spare part list.

This page is intentionally left blank

1 Definition of spare part levels

Spare part level

ABB spare parts are categorized into two levels, L1 and L2. Always check the part level before conducting a service work on a spare part.

- L1 spare parts

The L1 parts can be replaced in the field. The maintenance and replacement instructions given in the related product manuals must be strictly followed. If there are any problems, contact your local ABB for support.

- L2 spare parts

To replace the L2 parts require specialized training and might need special tools. Only ABB field service personnel or qualified personnel trained by ABB can replace L2 parts.

- L3 spare parts

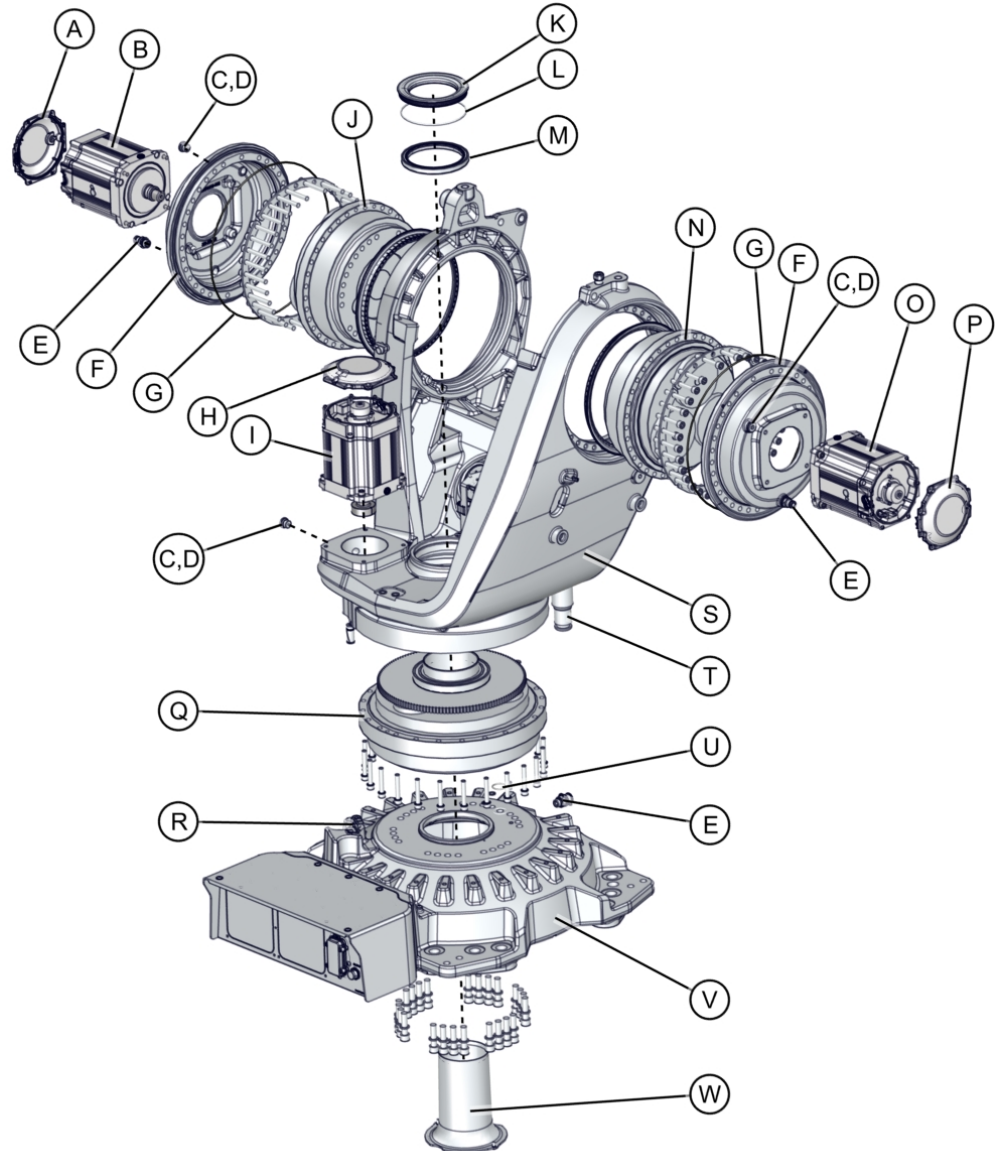
L3 spare parts shall only be replaced or repaired by qualified ABB service technician with knowledge of the application due to reduce risk of injury or damage to equipment. Improper installation may void warranty.

This page is intentionally left blank

2 Spare parts - axis 1-3

2.1 Axis 1-3

Parts list



xx2300001466

Spare part	Article number	Note	Level
A	Connection box cover FS180 with gasket 3HAC072864-003 (Graphite White) 3HAC072864-005 (ABB Orange) 3HAC074336-004 (Graphite White, threaded connection) 3HAC074336-005 (ABB Orange, threaded connection)	Replace if damaged. On axis-2 motor	L2

Continues on next page

2 Spare parts - axis 1-3

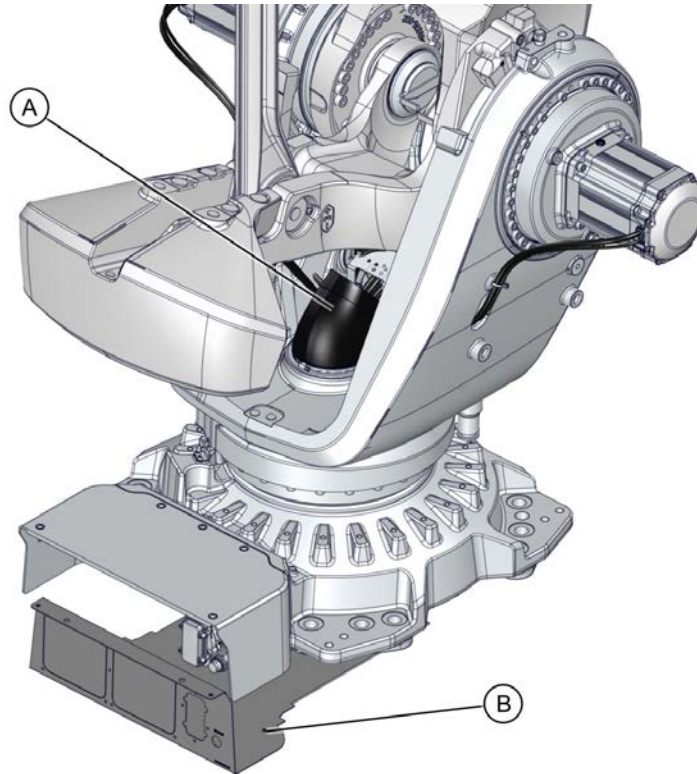
2.1 Axis 1-3

Continued

	Spare part	Article number	Note	Level
B	Motor unit (including connection box and pinion)	3HAC085098-002 (Graphite White) 3HAC085098-003 (ABB Orange)		L2
C	Magnetic plug, G 1/2"	3HAC16721-1		L1
D	O-ring, G 1/2"	3HAC061327-059	Used on oil plug. Always replace when refitting oil plug.	L1
E	Quick coupling G1/2"	3HAC072846-001		L1
F	Motor flange	3HAC074412-004 (Graphite White) 3HAC074412-005 (ABB Orange)		L2
G	O-ring	3HAB3772-160	On motor flange.	L2
H	Connection box cover FS180 with gasket	3HAC072864-003 (Graphite White) 3HAC072864-005 (ABB Orange) 3HAC074336-004 (Graphite White, threaded connection) 3HAC074336-005 (ABB Orange, threaded connection)	Replace if damaged. On axis-1 motor	L2
I	Motor unit (including connection box and pinion)	3HAC085097-003 (Graphite White) 3HAC085097-004 (ABB Orange)		L2
J	Gearbox	3HAC074200-006	Includes o-ring 3HAC061327-067	L2
K	Protection ring	TBD		L2
L	O-ring	TBD	On axis-1 protection ring.	L2
M	Radial sealing with dust lip	3HAB3701-51		L2
N	Gearbox	3HAC074200-006	Includes o-ring 3HAC061327-067	L2
O	Motor unit (including connection box and pinion)	3HAC085098-002 (Graphite White) 3HAC085098-003 (ABB Orange)		L2
P	Connection box cover FS180 with gasket	3HAC072864-003 (Graphite White) 3HAC072864-005 (ABB Orange) 3HAC074336-004 (Graphite White, threaded connection) 3HAC074336-005 (ABB Orange, threaded connection)	Replace if damaged. On axis-2 motor	L2
Q	Gearbox	3HAC085094-002 (Graphite White) 3HAC085094-003 (ABB Orange)	Includes o-ring 3HAC061327-105	L2
R	Sync plate, axis 1	3HAC075111-001		L1
S	Frame	3HAC069373-004 (Graphite White) 3HAC069373-005 (ABB Orange)		L2
T	Mechanical stop pin	3HAC084500-001		L1
U	O-ring	3HAC061327-033	1 pcs. At the oil inlet hole on the gear-box.	L2
V	Base	3HAC069336-004 (Graphite White) 3HAC069336-005 (ABB Orange)		L2
W	Protection tube	3HAC084551-001		L2

2.2 Axis 1-3 protection type Foundry Plus

Parts list



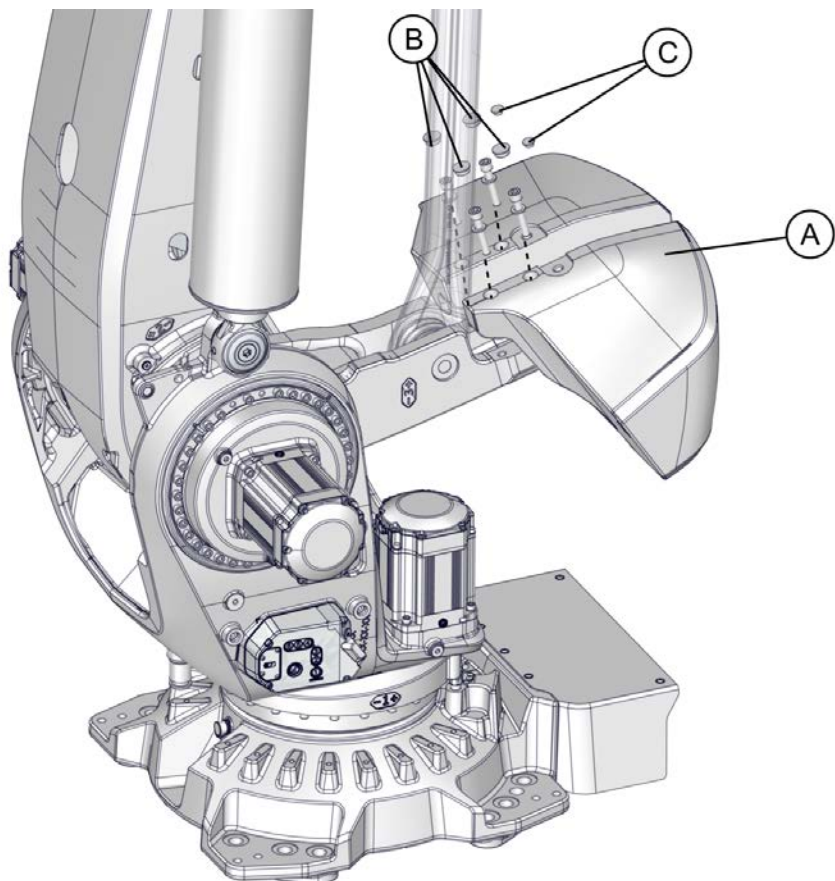
xx240000608

	Spare part	Article number	Note	Level
A	Cable protection, Foundry Plus	3HACxxx		L2
B	Base connector housing	3HAC072234-001		L2

This page is intentionally left blank

3 Spare parts - counter balancing weight

Parts list



xx240000911

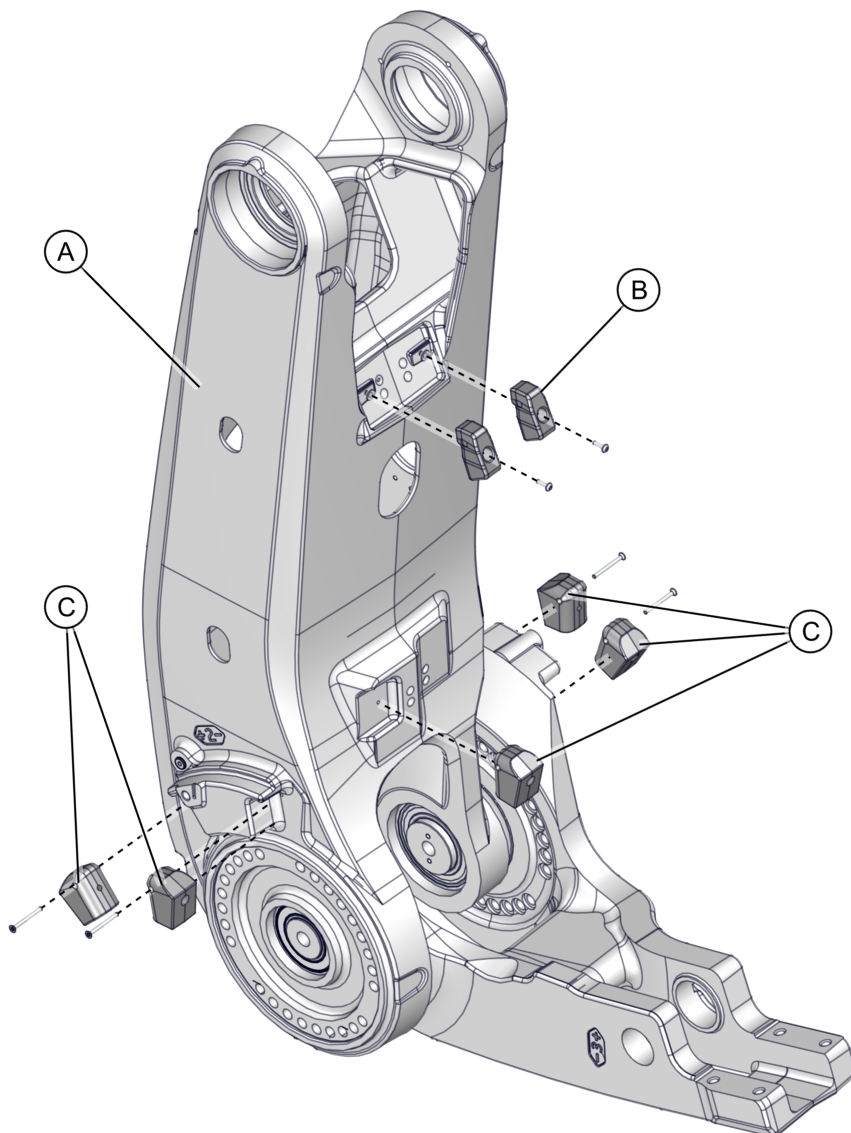
	Spare part	Article number	Note	Level
A	Counter balancing weight	3HAC074488-004 (Graphite White) 3HAC074488-005 (ABB Orange)		L2
B	Protection plug	3HAC4836-6	For screw holes.	L1
C	Protection plug	3HAC4836-21	For lifting holes.	L1

This page is intentionally left blank

4 Spare parts - lower arm

4.1 Lower arm

Parts list



xx240000610

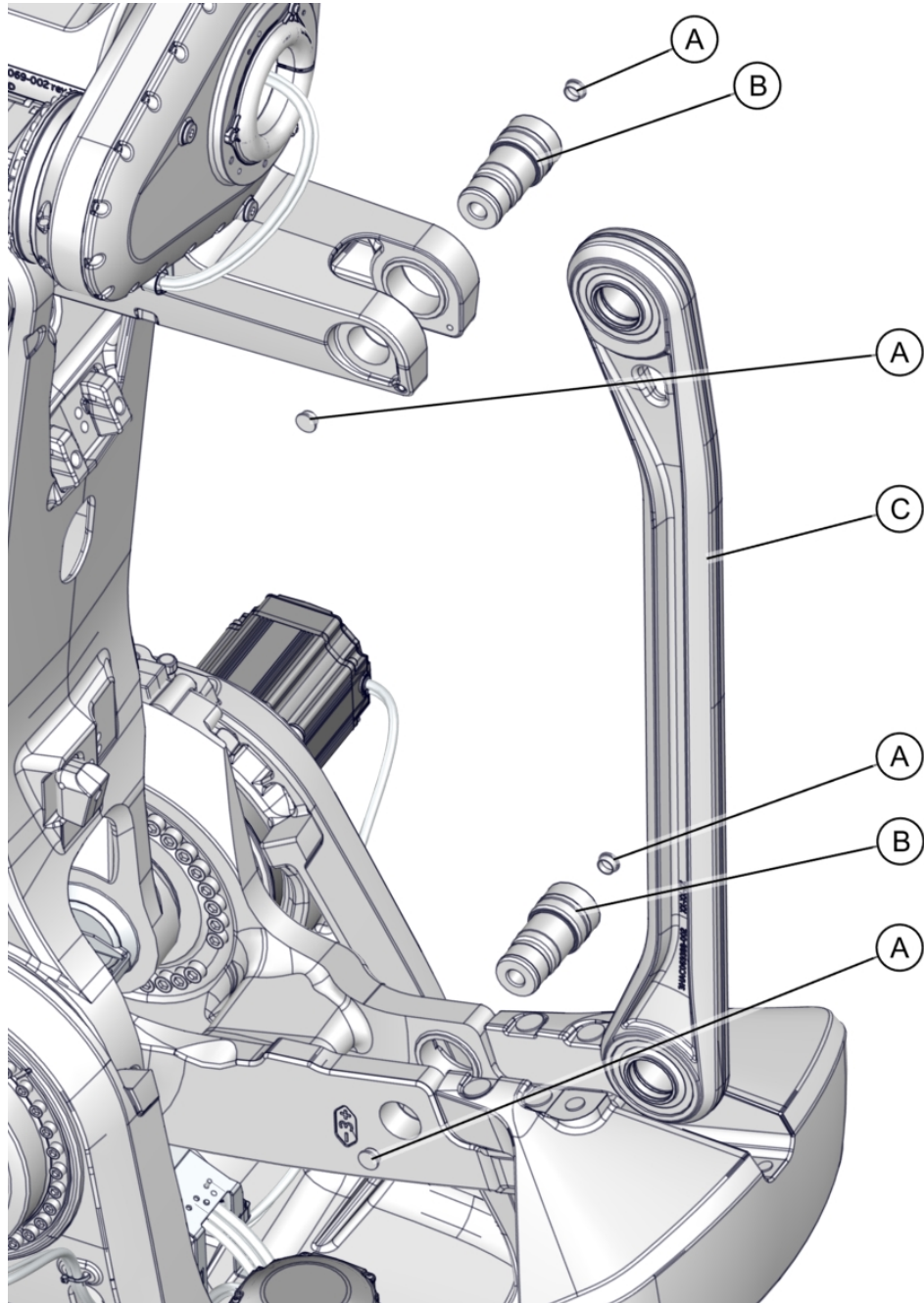
	Spare part	Article number	Note	Level
A	Lower arm system	3HAC069375-003 (Graphite White) 3HAC069375-004 (ABB Orange)	Includes lower and parallel arm	L3
B	Damper	3HAC022338-001	On lower arm	L1
C	Damper	3HAC12991-1	On axis 2, axis 3 and lower arm	L1

4 Spare parts - lower arm

4.2 Parallel rod

4.2 Parallel rod

Parts list

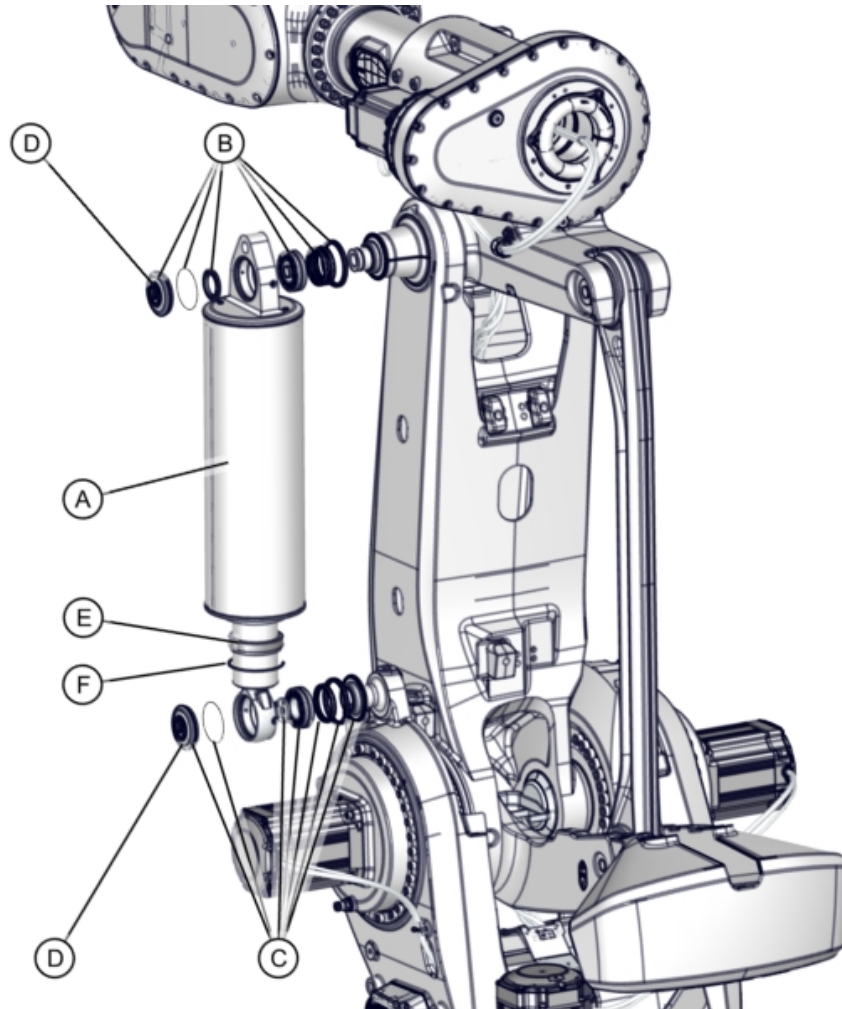


xx2400000905

	Spare part	Article number	Note	Level
A	Protection plug	3HAC4836-11	Replace if damaged.	L2
B	Shaft, parallel rod	3HAC083678-001		L2
C	Parallel rod	3HAC085618-003 (Graphite White) 3HAC085618-004 (ABB Orange)	Includes spherical roller bearing and washers.	L2

5 Spare parts - balancing device

Parts list



xx2300001495

	Spare part	Article number	Note	Level
A	Balancing device	3HAC084741-003 (Graphite White) 3HAC084741-006 (ABB Orange)		L2
B	Maintenance set, upper link ear	3HAC091950-001	The maintenance kit contains: <ul style="list-style-type: none"> • End cover • O-ring • Nut • Radial sealing with dust lip • Spherical roller bearing • Support ring 	L2

Continues on next page

5 Spare parts - balancing device

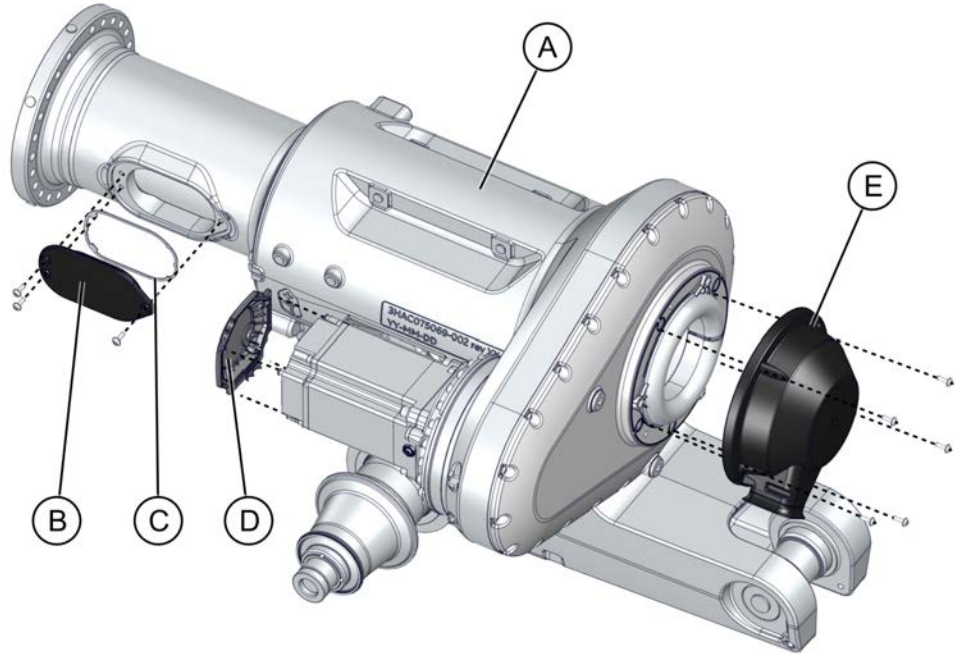
Continued

	Spare part	Article number	Note	Level
C	Maintenance set, lower link ear	3HAC091953-001	The maintenance kit contains: <ul style="list-style-type: none">• End cover• O-ring• Spacer ring• Radial sealing with dust lip• Spherical roller bearing• Support ring• Washer• Torx pan head screw	L2
D	Cover	3HAC075038-001	On the balancing device ear.	L2
E	Guide ring	3HAC034897-001		L2
F	Circlip SB 120	3HAC036620-001		L2

6 Spare parts - upper arm excluding wrist

6.1 Upper arm excluding wrist

Parts list



xx240000616

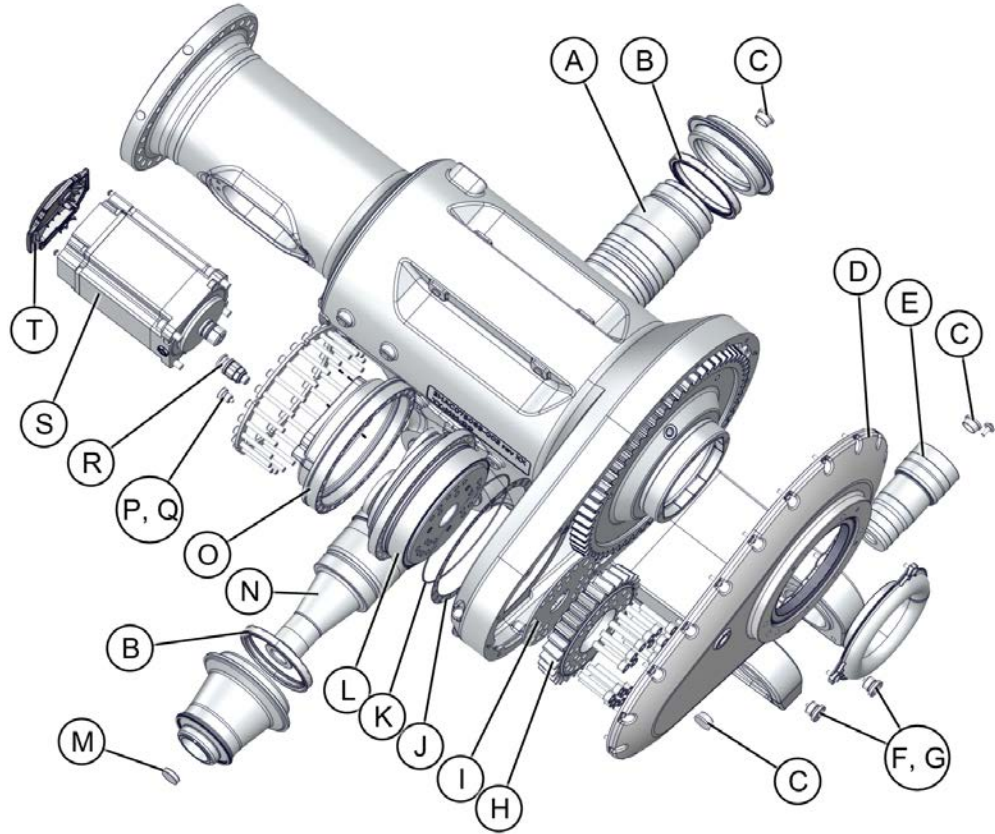
	Spare part	Article number	Note	Level
A	Upper arm	IRB 7720-620/2.9 IRB 7720-530/3.1 IRB 7720-560/2.9 LID IRB 7720-480/3.1 LID: 3HAC084908-002 (Graphite White) 3HAC084908-003 (ABB Orange) IRB 7720-510/3.3 IRB 7720-450/3.5 IRB 7720-400/3.3 LID IRB 7720-400/3.5 LID: 3HAC084914-002 (Graphite White) 3HAC084914-003 (ABB Orange)	Includes axis-4 motor and gearbox.	L3
B	Side cover	3HAC071727-001	Replace if damaged.	L2
C	Gasket, side cover	3HAC073715-001	Protection type Foundry Plus	L2
D	Connection box cover FS130 with gasket	3HAC072863-003 (Graphite White) 3HAC072863-005 (ABB Orange)	Replace if damaged. On axis-4 motor	L2
E	Cover with gasket	3HAC074623-003	Protection type Foundry Plus	L2

6 Spare parts - upper arm excluding wrist

6.2 Upper arm parts

6.2 Upper arm parts

Parts list



xx240000619

	Spare part	Article number	Note	Level
A	Shaft, axis-3	3HAC074233-003	Replace if damaged.	L3
B	Radial sealing with dust lip	3HAB3701-71	Always replace with a new sealing.	L3
C	Protection plug	3HAC4836-11	Replace if damaged.	L2
D	Arm house cover including cassette sealing	3HAC084032-003 (Graphite White) 3HAC084032-004 (ABB Orange)	Gasket and cassette sealing included	L2
E	Shaft, parallel rod	3HAC083678-001		L2
F	Magnetic plug, G 1/2"	3HAC16721-1		L1
G	O-ring, G 1/2"	3HAC061327-059	Used on oil plug. Always replace when refitting oil plug.	L2

Continues on next page

6 Spare parts - upper arm excluding wrist

6.2 Upper arm parts Continued

	Spare part	Article number	Note	Level
H	Cylindrical gear Z3	IRB 7720-620/2.9 IRB 7720-530/3.1 IRB 7720-560/2.9 LID IRB 7720-480/3.1 LID: 3HAC069514-001 IRB 7720-510/3.3 IRB 7720-450/3.5 IRB 7720-400/3.3 LID IRB 7720-400/3.5 LID: 3HAC074343-001		L3
I	Set of shims	IRB 7720-620/2.9 IRB 7720-530/3.1 IRB 7720-560/2.9 LID IRB 7720-480/3.1 LID: 3HAC084918-001 IRB 7720-510/3.3 IRB 7720-450/3.5 IRB 7720-400/3.3 LID IRB 7720-400/3.5 LID: 3HAC084969-001		L3
J	Friction shim	IRB 7720-620/2.9 IRB 7720-530/3.1 IRB 7720-560/2.9 LID IRB 7720-480/3.1 LID: 3HAC085686-002 IRB 7720-510/3.3 IRB 7720-450/3.5 IRB 7720-400/3.3 LID IRB 7720-400/3.5 LID: 3HAC085686-001		L3
K	O-ring	IRB 7720-620/2.9 IRB 7720-530/3.1 IRB 7720-560/2.9 LID IRB 7720-480/3.1 LID: 3HAC061327-062 IRB 7720-510/3.3 IRB 7720-450/3.5 IRB 7720-400/3.3 LID IRB 7720-400/3.5 LID: 3HAC061327-078	Included in gearbox spare part, but replace if damaged.	L3

Continues on next page

6 Spare parts - upper arm excluding wrist

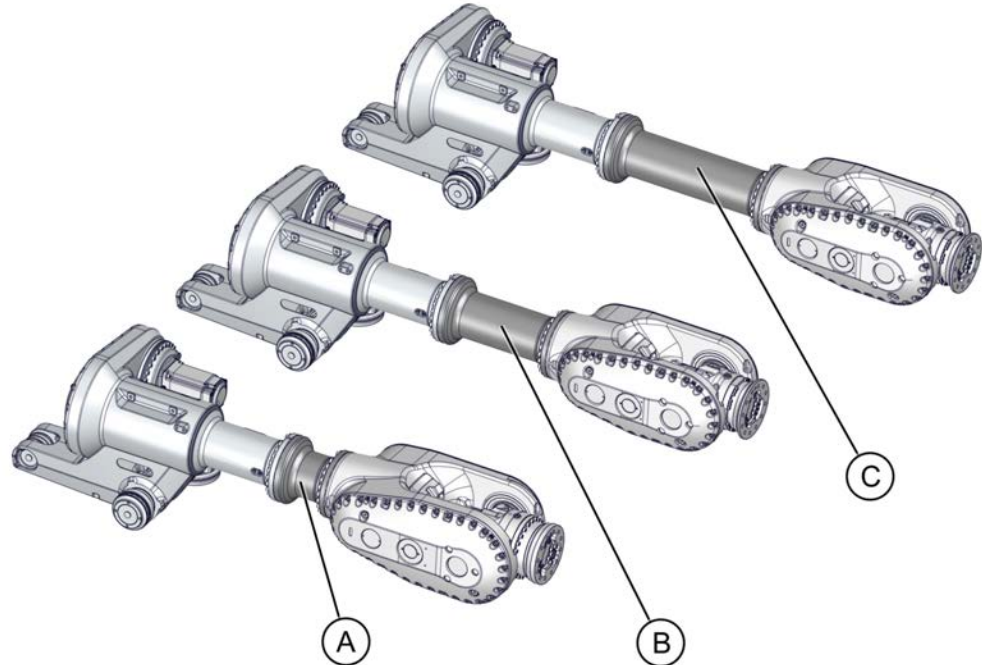
6.2 Upper arm parts

Continued

	Spare part	Article number	Note	Level
L	Gearbox	IRB 7720-620/2.9 IRB 7720-530/3.1 IRB 7720-560/2.9 LID IRB 7720-480/3.1 LID: 3HAC089913-002 (Graphite White) 3HAC089913-003 (ABB Orange) IRB 7720-510/3.3 IRB 7720-450/3.5 IRB 7720-400/3.3 LID IRB 7720-400/3.5 LID: 3HAC084911-003 (Graphite White) 3HAC084911-004 (ABB Orange)	Includes o-ring IRB 7720-620/2.9 IRB 7720-530/3.1 IRB 7720-560/2.9 LID IRB 7720-480/3.1 LID: 3HAC061327-062 IRB 7720-510/3.3 IRB 7720-450/3.5 IRB 7720-400/3.3 LID IRB 7720-400/3.5 LID: 3HAC061327-078	L3
M	VK cover	3HAA2166-12	Replace if damaged.	L2
N	Shaft, axis-2	3HAC074233-001	Replace if damaged.	L3
O	Motor flange	3HAC069502-006 (Graphite White) 3HAC069502-007 (ABB Orange)		L2
P	Magnetic plug, G 1/2"	3HAC16721-1		L2
Q	O-ring, G 1/2"	3HAC061327-059	Used on oil plug. Always replace when refitting oil plug.	L2
R	Quick coupling G1/2" / Quick coupling G1/4"	IRB 7720-620/2.9 IRB 7720-530/3.1 IRB 7720-560/2.9 LID IRB 7720-480/3.1 LID: 3HAC072846-001 IRB 7720-510/3.3 IRB 7720-450/3.5 IRB 7720-400/3.3 LID IRB 7720-400/3.5 LID: 3HAC074630-001		L2
S	Motor unit (including connection box and pinion)	IRB 7720-620/2.9 IRB 7720-530/3.1 IRB 7720-560/2.9 LID IRB 7720-480/3.1 LID: 3HAC084135-003 (Graphite White) 3HAC084135-004 (ABB Orange) IRB 7720-510/3.3 IRB 7720-450/3.5 IRB 7720-400/3.3 LID IRB 7720-400/3.5 LID: 3HAC084261-003 (Graphite White) 3HAC084261-004 (ABB Orange)		L2
T	Connection box cover FS130 with gasket	3HAC072863-003 (Graphite White) 3HAC072863-005 (ABB Orange)	Replace if damaged. On axis-4 motor	L2

6.3 Upper arm extenders

Parts list



xx240000908

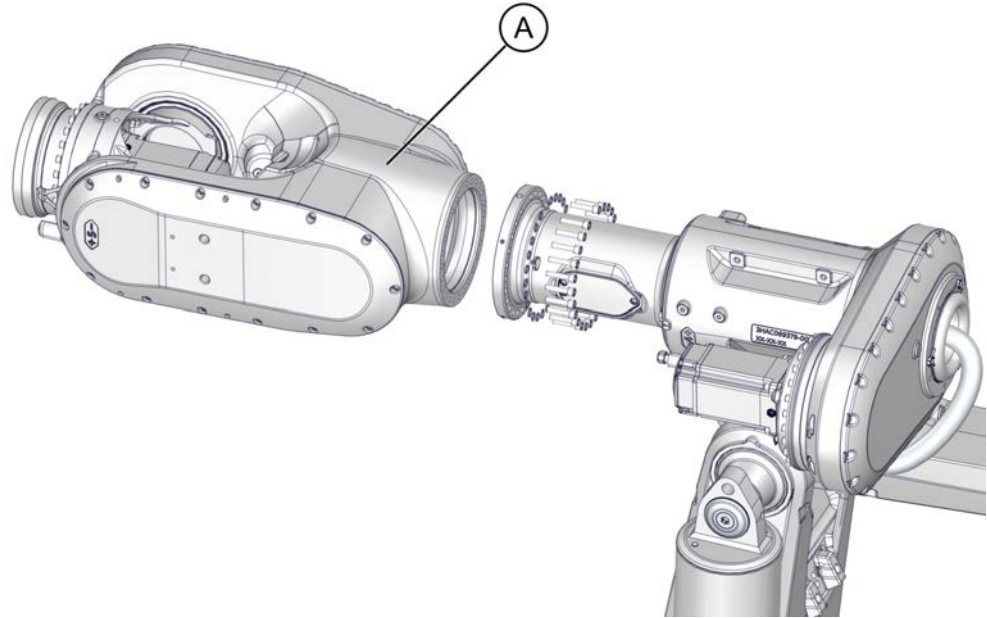
	Spare part	Article number	Note	Level
A	Arm extender, 230 mm	3HAC075271-006 (Graphite White) 3HAC075271-007 (ABB Orange)		L2
B	Arm extender, 490 mm	3HAC072729-006 (Graphite White) 3HAC072729-007 (ABB Orange)		L2
C	Arm extender, 700 mm	3HAC076085-006 (Graphite White) 3HAC076085-007 (ABB Orange)		L2

This page is intentionally left blank

7 Spare parts - wrist

7.1 Wrist complete

Parts list



xx240000620

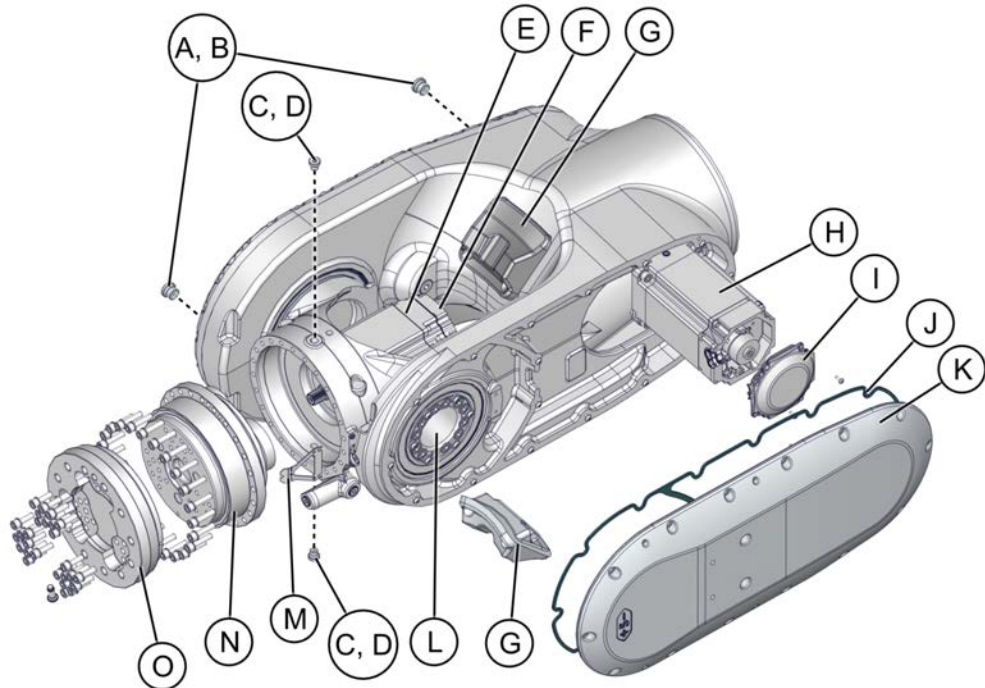
	Spare part	Article number	Note	Level
A	Wrist	IRB 7720-620/2.9 IRB 7720-530/3.1 IRB 7720-560/2.9 LID IRB 7720-480/3.1 LID: 3HAC085021-002 (Graphite White) 3HAC085021-003 (ABB Orange) IRB 7720-510/3.3 IRB 7720-450/3.5 IRB 7720-400/3.3 LID IRB 7720-400/3.5 LID: 3HAC085018-002 (Graphite White) 3HAC085018-003 (ABB Orange)		L2

7 Spare parts - wrist

7.2 Wrist parts

7.2 Wrist parts

Parts list



xx240000621

	Spare part	Article number	Note	Level
A	Magnetic plug, G 1/2"	3HAC16721-1		L1
B	O-ring, G 1/2"	3HAC061327-059	Used on oil plug. Always replace when refitting oil plug.	L2
C	Magnetic plug, G 1/4"	3HAC037925-001		L1
D	O-ring, G 1/4"	3HAC061327-060	Used on oil plug. Always replace when refitting oil plug.	L2
E	Motor unit (including connection box and pinion)	IRB 7720-620/2.9 IRB 7720-530/3.1 IRB 7720-560/2.9 LID IRB 7720-480/3.1 LID: 3HAC076987-003 (Graphite White) 3HAC076987-004 (ABB Orange) IRB 7720-510/3.3 IRB 7720-450/3.5 IRB 7720-400/3.3 LID IRB 7720-400/3.5 LID: 3HAC076985-003 (Graphite White) 3HAC076985-004 (ABB Orange)		L2

Continues on next page

7 Spare parts - wrist

7.2 Wrist parts Continued

	Spare part	Article number	Note	Level
F	Connection box cover	Without gasket, for: IRB 7720-620/2.9 IRB 7720-530/3.1 IRB 7720-560/2.9 LID IRB 7720-480/3.1 LID: 3HAC026607-003 (Graphite White) 3HAC026607-004 (ABB Orange) With gasket, for: IRB 7720-510/3.3 IRB 7720-450/3.5 IRB 7720-400/3.3 LID IRB 7720-400/3.5 LID: 3HAC079381-003 (Graphite White) 3HAC079381-004 (ABB Orange)	Replace if damaged. On axis-6 motor Gasket for covers without gasket: 3HAC033489-001	L2
G	Damper / mechanical stop axis 5	3HAC085025-001	On wrist Includes two dampers.	L1
H	Motor unit (including connection box and pinion)	IRB 7720-620/2.9 IRB 7720-530/3.1 IRB 7720-560/2.9 LID IRB 7720-480/3.1 LID: 3HAC076986-003 IRB 7720-510/3.3 IRB 7720-450/3.5 IRB 7720-400/3.3 LID IRB 7720-400/3.5 LID: 3HAC076984-003		L2
I	Connection box cover with gasket	3HAC072863-003 (Graphite White) 3HAC072863-005 (ABB Orange)	Replace if damaged. On axis-5 motor	L2
J	Gasket	3HAC085052-001	For wrist cover. Replace if damaged.	L2
K	Wrist cover	3HAC085026-002 (Graphite White) 3HAC085026-003 (ABB Orange)	Replace if damaged.	L2
L	Support shaft including bearing	3HAC085078-002 (Graphite White) 3HAC085078-003 (ABB Orange)	Replace if damaged.	L3
M	Sync plate, axis 6	3HAC055028-001		L1
N	Gearbox	IRB 7720-620/2.9 IRB 7720-530/3.1 IRB 7720-560/2.9 LID IRB 7720-480/3.1 LID: 3HAC076988-002 (Graphite White) 3HAC076988-003 (ABB Orange) IRB 7720-510/3.3 IRB 7720-450/3.5 IRB 7720-400/3.3 LID IRB 7720-400/3.5 LID: 3HAC075792-002 (Graphite White) 3HAC075792-003 (ABB Orange)	Includes o-ring IRB 7720-620/2.9, IRB 7720-530/3.1, IRB 7720-560/2.9 LID, IRB 7720-480/3.1 LID: 3HAB3772-148 IRB 7720-510/3.3, IRB 7720-450/3.5, IRB 7720-400/3.3 LID, IRB 7720-400/3.5 LID: 3HAC061327-078	L2

Continues on next page

7 Spare parts - wrist

7.2 Wrist parts

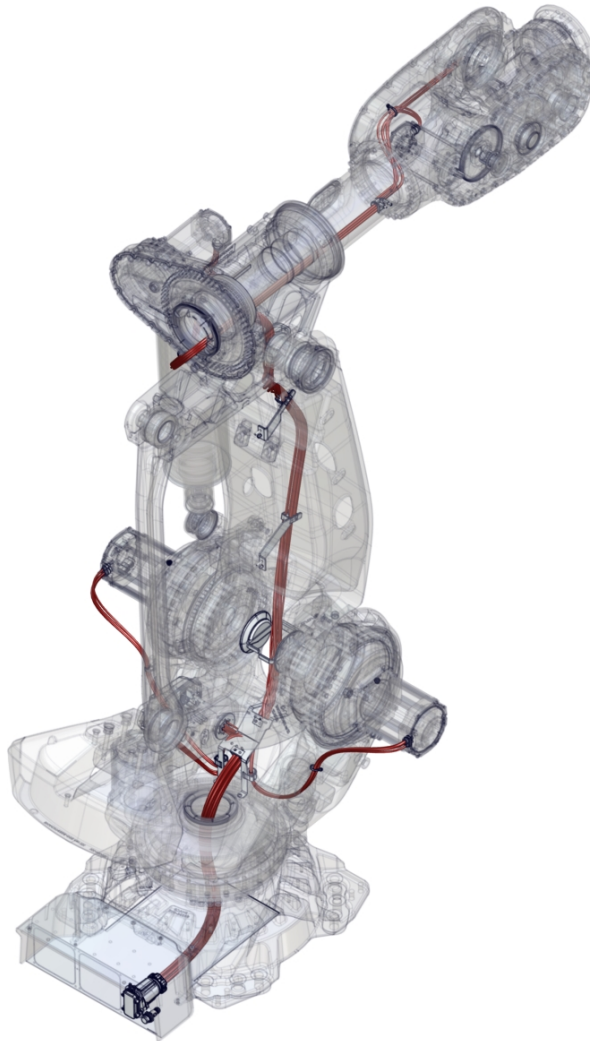
Continued

	Spare part	Article number	Note	Level
O	Turning disc	IRB 7720-620/2.9 IRB 7720-530/3.1: 3HAC085104-002 IRB 7720-510/3.3 IRB 7720-450/3.5: 3HAC085063-002		L2
P	Process turning disc	IRB 7720-560/2.9 LID, IRB 7720-480/3.1 LID: 3HAC084762-004 IRB 7720-400/3.3 LID, IRB 7720-400/3.5 LID: 3HAC084761-004		L2

8 Spare parts - electronic parts

8.1 Manipulator harness ax 1-6

Parts list



xx2300001882

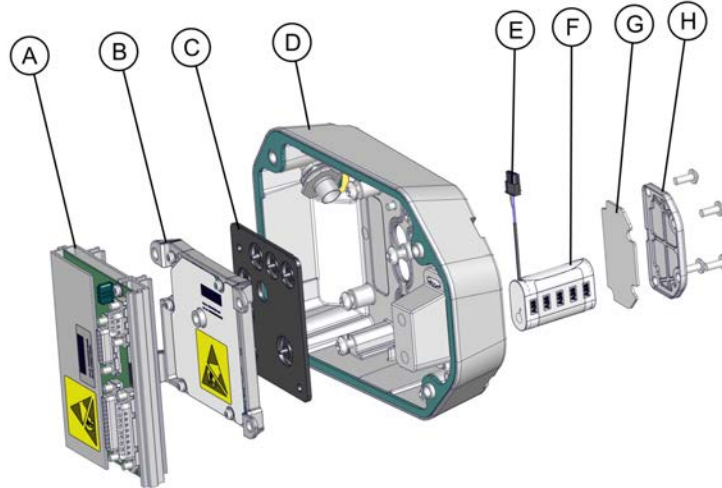
	Spare part	Article number	Note	Level
A	Cable harness	3HAC084561-001		L2

8 Spare parts - electronic parts

8.2 Electrical parts

8.2 Electrical parts

Parts list



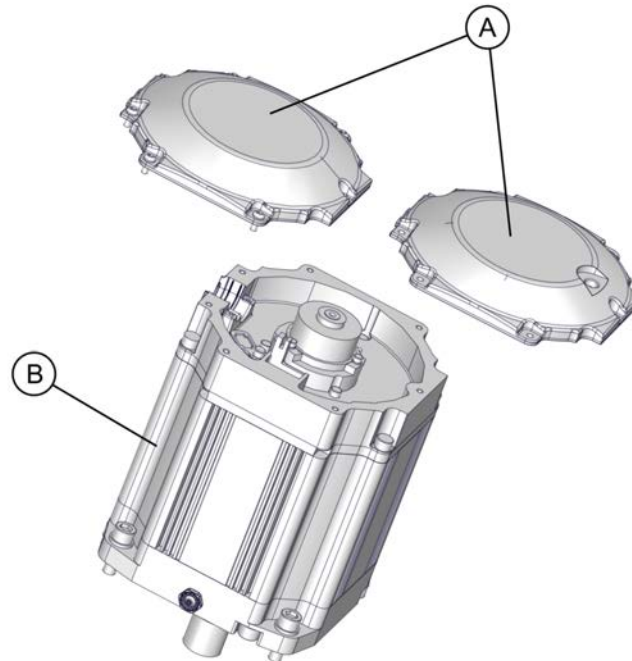
xx230000116

	Spare part	Article number	Note	Level
A	Serial measurement unit	3HAC043904-001		L2
B	Brake release unit	3HAC073540-001		L2
C	Push button guard	3HAC070515-001		L2
D	Cover, electronics	3HAC081189-003 (Graphite White) 3HAC081189-004 (ABB Orange)	Includes gasket. Replace if damaged.	L2
E	Battery cable	3HAC073539-001	Replace if damaged.	L2
F	Battery pack	3HAC044075-001	Battery includes protection circuits. Only replace with the specified spare part or an ABB-approved equivalent.	L1
G	Gasket for battery cover	3HAC073342-001	Replace if damaged.	L1
H	Cover, battery	3HAC070509-001		L1

9 Spare parts - motors

9.1 Axis-1

Parts list



xx230000126

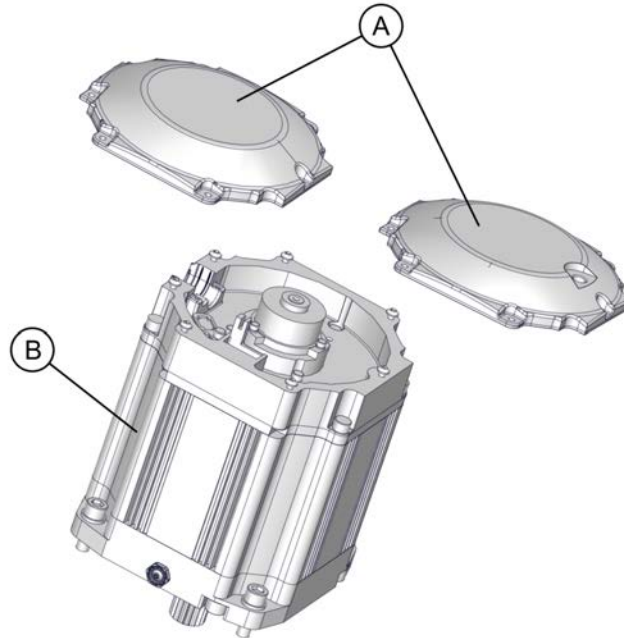
	Spare part	Article number	Note	Level
A	Connection box cover FS180 with gasket	3HAC072864-003 (Graphite White) 3HAC072864-005 (ABB Orange) 3HAC074336-004 (Graphite White, threaded connection) 3HAC074336-005 (ABB Orange, threaded connection)	Replace if damaged. On axis-1 motor	L2
B	Motor unit (including connection box and pinion)	3HAC085097-003 (Graphite White) 3HAC085097-004 (ABB Orange)		L2

9 Spare parts - motors

9.2 Axis-2

9.2 Axis-2

Parts list

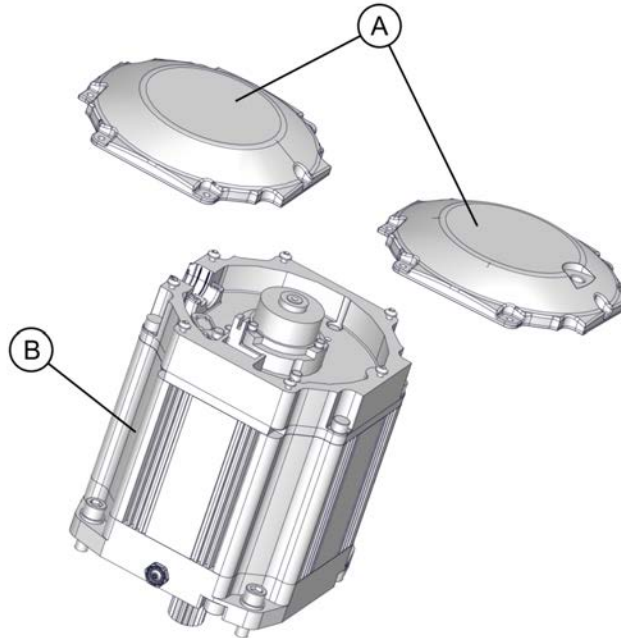


xx2300000127

	Spare part	Article number	Note	Level
A	Connection box cover FS180 with gasket	3HAC072864-003 (Graphite White) 3HAC072864-005 (ABB Orange) 3HAC074336-004 (Graphite White, threaded connection) 3HAC074336-005 (ABB Orange, threaded connection)	Replace if damaged. On axis-2 motor	L2
B	Motor unit (including connection box and pinion)	3HAC085098-002 (Graphite White) 3HAC085098-003 (ABB Orange)		L2

9.3 Axis-3

Parts list



xx230000127

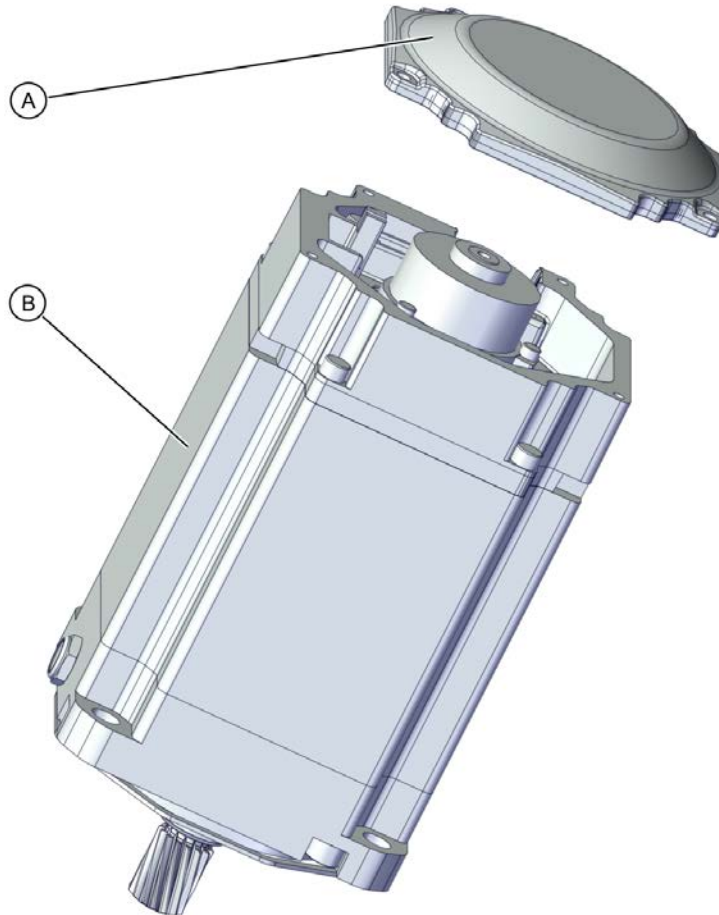
	Spare part	Article number	Note	Level
A	Connection box cover FS180 with gasket	3HAC072864-003 (Graphite White) 3HAC072864-005 (ABB Orange) 3HAC074336-004 (Graphite White, threaded connection) 3HAC074336-005 (ABB Orange, threaded connection)	Replace if damaged. On axis-3 motor	L2
B	Motor unit (including connection box and pinion)	3HAC085098-002 (Graphite White) 3HAC085098-003 (ABB Orange)		L2

9 Spare parts - motors

9.4 Axis-4

9.4 Axis-4

Parts list

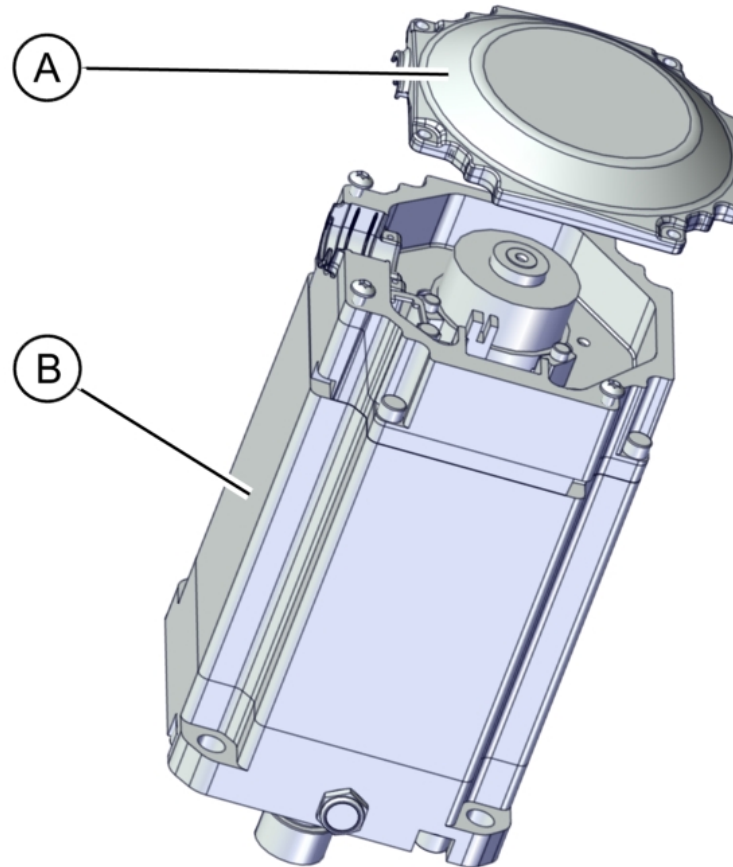


xx2100002257

	Spare part	Article number	Note	Level
A	Connection box cover FS130 with gasket	3HAC072863-003 (Graphite White) 3HAC072863-005 (ABB Orange)	Replace if damaged. On axis-4 motor	L2
B	Motor unit (including connection box and pinion)	IRB 7720-620/2.9 IRB 7720-530/3.1 IRB 7720-560/2.9 LID IRB 7720-480/3.1 LID: 3HAC084135-003 (Graphite White) 3HAC084135-004 (ABB Orange) IRB 7720-510/3.3 IRB 7720-450/3.5 IRB 7720-400/3.3 LID IRB 7720-400/3.5 LID: 3HAC084261-003 (Graphite White) 3HAC084261-004 (ABB Orange)		L2

9.5 Axis-5

Parts list



xx2100002256

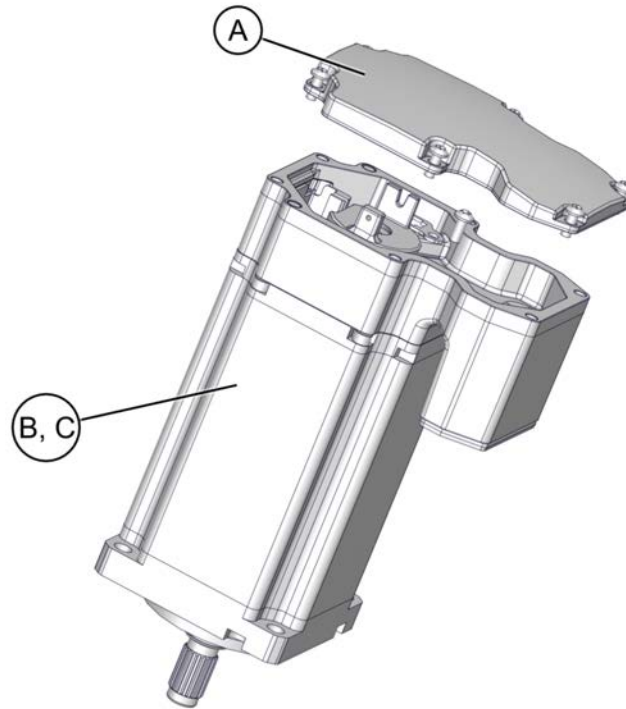
	Spare part	Article number	Note	Level
A	Connection box cover with gasket	3HAC072863-003 (Graphite White) 3HAC072863-005 (ABB Orange)	Replace if damaged. On axis-5 motor	L2
B	Motor unit (including connection box and pinion)	IRB 7720-620/2.9 IRB 7720-530/3.1 IRB 7720-560/2.9 LID IRB 7720-480/3.1 LID: 3HAC076986-003 IRB 7720-510/3.3 IRB 7720-450/3.5 IRB 7720-400/3.3 LID IRB 7720-400/3.5 LID: 3HAC076984-003		L2

9 Spare parts - motors

9.6 Axis-6

9.6 Axis-6

Parts list



xx2300000650

	Spare part	Article number	Note	Level
A	Connection box cover	Without gasket, for: IRB 7720-620/2.9 IRB 7720-530/3.1 IRB 7720-560/2.9 LID IRB 7720-480/3.1 LID: 3HAC026607-003 (Graphite White) 3HAC026607-004 (ABB Orange) With gasket, for: IRB 7720-510/3.3 IRB 7720-450/3.5 IRB 7720-400/3.3 LID IRB 7720-400/3.5 LID: 3HAC079381-003 (Graphite White) 3HAC079381-004 (ABB Orange)	Replace if damaged. On axis-6 motor Gasket for covers without gasket: 3HAC033489-001	L2

Continues on next page

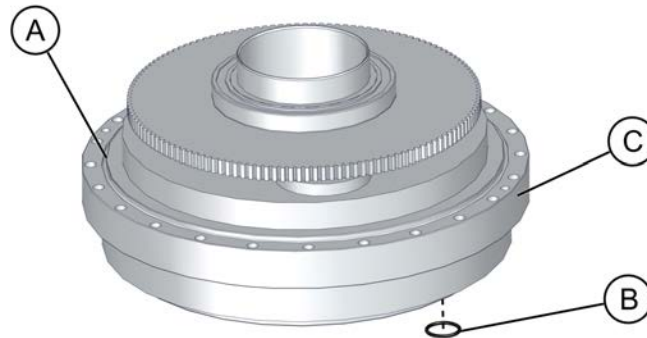
	Spare part	Article number	Note	Level
B	Motor unit (including connection box and pinion)	IRB 7720-620/2.9 IRB 7720-530/3.1 IRB 7720-560/2.9 LID IRB 7720-480/3.1 LID: 3HAC076987-003 (Graphite White) 3HAC076987-004 (ABB Orange) IRB 7720-510/3.3 IRB 7720-450/3.5 IRB 7720-400/3.3 LID IRB 7720-400/3.5 LID: 3HAC076985-003 (Graphite White) 3HAC076985-004 (ABB Orange)		L2

This page is intentionally left blank

10 Spare parts - gears

10.1 Axis-1

Parts list



xx240000622

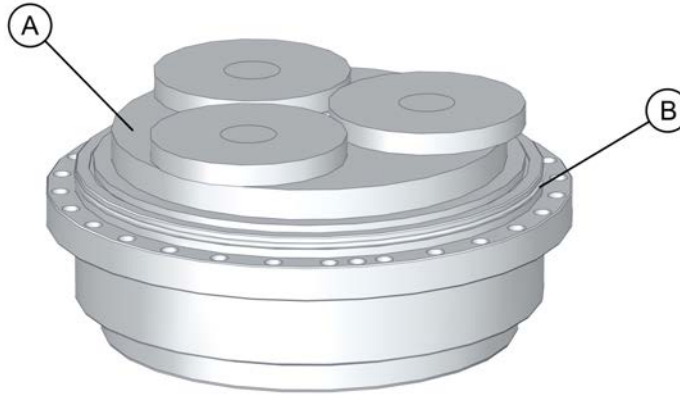
	Spare part	Article number	Note	Level
A	O-ring	3HAC061327-105	On gearbox. Included in gearbox spare part, but replace if damaged.	L2
B	O-ring	3HAC061327-033	1 pcs. At the oil inlet hole on the gearbox.	L2
C	Gearbox	3HAC085094-002 (Graphite White) 3HAC085094-003 (ABB Orange)	Includes o-ring 3HAC061327- 105	L2

10 Spare parts - gears

10.2 Axis-2

10.2 Axis-2

Parts list

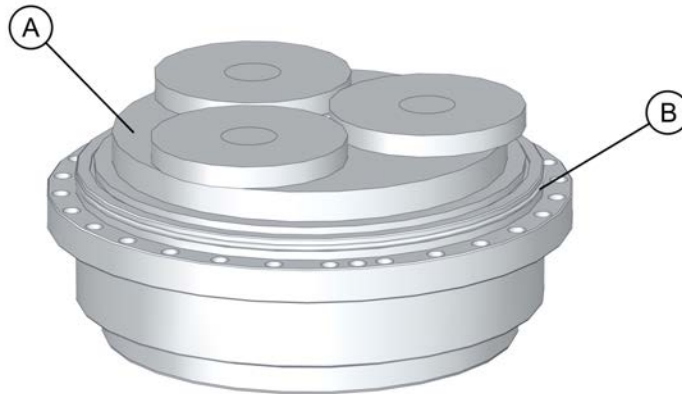


xx2300000133

	Spare part	Article number	Note	Level
A	Gearbox	3HAC074200-006	Includes o-ring 3HAC061327-067	L2
B	O-ring	3HAC061327-067	On gearbox. Included in gearbox spare part, but replace if damaged.	L2

10.3 Axis-3

Parts list



xx230000133

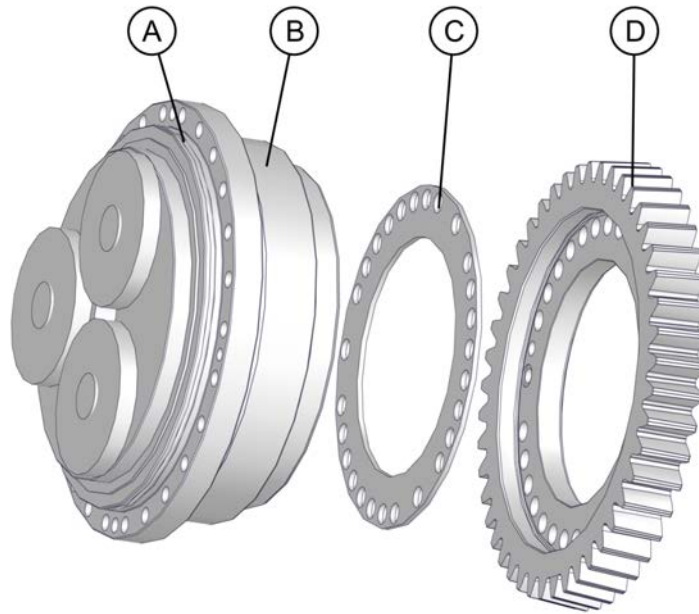
	Spare part	Article number	Note	Level
A	Gearbox	3HAC074200-006	Includes o-ring 3HAC061327-067	L2
B	O-ring	3HAC061327-067	On gearbox. Included in gearbox spare part, but replace if damaged.	L2

10 Spare parts - gears

10.4 Axis-4

10.4 Axis-4

Parts list



xx240000624

	Spare part	Article number	Note	Level
A	O-ring	IRB 7720-620/2.9 IRB 7720-530/3.1 IRB 7720-560/2.9 LID IRB 7720-480/3.1 LID: 3HAC061327-062 IRB 7720-510/3.3 IRB 7720-450/3.5 IRB 7720-400/3.3 LID IRB 7720-400/3.5 LID: 3HAC061327-078	Included in gearbox spare part, but replace if damaged.	L3
B	Gearbox	IRB 7720-620/2.9 IRB 7720-530/3.1 IRB 7720-560/2.9 LID IRB 7720-480/3.1 LID: 3HAC089913-002 (Graphite White) 3HAC089913-003 (ABB Orange) IRB 7720-510/3.3 IRB 7720-450/3.5 IRB 7720-400/3.3 LID IRB 7720-400/3.5 LID: 3HAC084911-003 (Graphite White) 3HAC084911-004 (ABB Orange)	Includes o-ring IRB 7720-620/2.9 IRB 7720-530/3.1 IRB 7720-560/2.9 LID IRB 7720-480/3.1 LID: 3HAC061327-062 IRB 7720-510/3.3 IRB 7720-450/3.5 IRB 7720-400/3.3 LID IRB 7720-400/3.5 LID: 3HAC061327-078	L3

Continues on next page

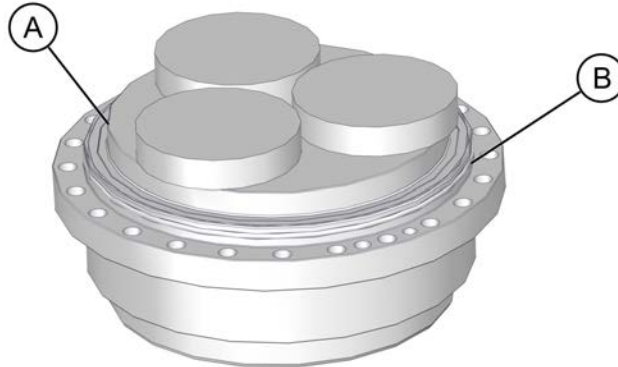
	Spare part	Article number	Note	Level
C	Set of shims	IRB 7720-620/2.9 IRB 7720-530/3.1 IRB 7720-560/2.9 LID IRB 7720-480/3.1 LID: 3HAC084918-001 IRB 7720-510/3.3 IRB 7720-450/3.5 IRB 7720-400/3.3 LID IRB 7720-400/3.5 LID: 3HAC084969-001		L3
D	Cylindrical gear Z3	IRB 7720-620/2.9 IRB 7720-530/3.1 IRB 7720-560/2.9 LID IRB 7720-480/3.1 LID: 3HAC069514-001 IRB 7720-510/3.3 IRB 7720-450/3.5 IRB 7720-400/3.3 LID IRB 7720-400/3.5 LID: 3HAC074343-001		L3

10 Spare parts - gears

10.5 Axis-6

10.5 Axis-6

Parts list



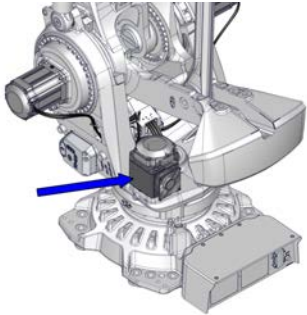
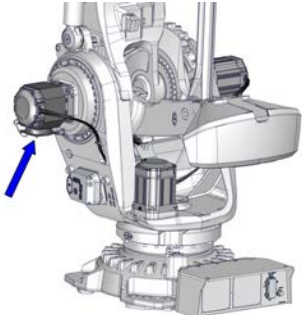
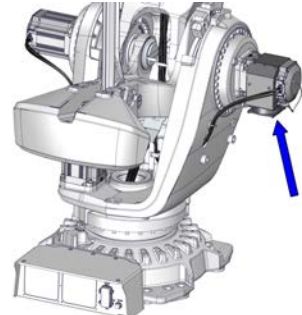
xx240000623

	Spare part	Article number	Note	Level
A	Gearbox	IRB 7720-620/2.9 IRB 7720-530/3.1 IRB 7720-560/2.9 LID IRB 7720-480/3.1 LID: 3HAC076988-002 (Graphite White) 3HAC076988-003 (ABB Orange) IRB 7720-510/3.3 IRB 7720-450/3.5 IRB 7720-400/3.3 LID IRB 7720-400/3.5 LID: 3HAC075792-002 (Graphite White) 3HAC075792-003 (ABB Orange)	Includes o-ring IRB 7720-620/2.9, IRB 7720-530/3.1, IRB 7720-560/2.9 LID, IRB 7720-480/3.1 LID: 3HAB3772-148 IRB 7720-510/3.3, IRB 7720-450/3.5, IRB 7720-400/3.3 LID, IRB 7720-400/3.5 LID: 3HAC061327-078	L2
B	O-ring	IRB 7720-620/2.9, IRB 7720-530/3.1, IRB 7720-560/2.9 LID, IRB 7720-480/3.1 LID: 3HAB3772-148 IRB 7720-510/3.3, IRB 7720-450/3.5, IRB 7720-400/3.3 LID, IRB 7720-400/3.5 LID: 3HAC061327-078	Replace if damaged.	L2

11 Spare parts - options

11.1 Motor cooling fan

Parts list

Axis- 1	Axis-2	Axis-3
 <p>xx2400000557</p>	 <p>xx2400000558</p>	 <p>xx2400000559</p>



Note

The robot can only have two cooling fans installed at the same time.

Spare part number	Description
3HAC092582-001 (Graphite White) 3HAC092583-001 (ABB Orange)	Fan unit Available for the axis-1, axis-2 and axis-3 motor. Can not be used together with protection type Foundry Plus. Includes fan unit, customer connection plate and required fasteners.
3HAC033082-001 ?	Cable harness for fan unit

This page is intentionally left blank

12 Spare parts - accessories

12.1 Axis Calibration items

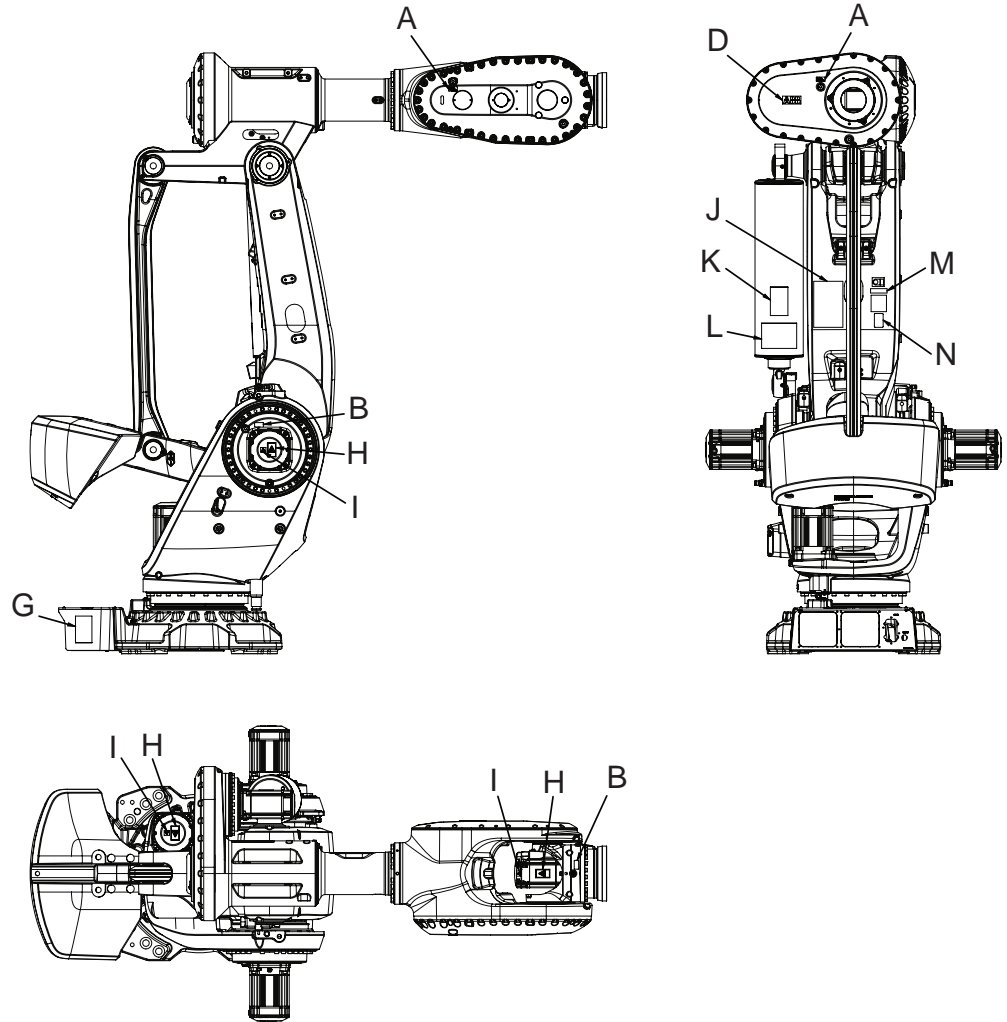
Spare part list

Spare part number	Description	Spare part level
3HAC064875-001 (axes 1, 2, 3 and 4)	Protection cover and plug set	L2
3HAC059487-001 (axes 5 and 6)	Contains replacement calibration pin covers and protective plugs for the bushings.	

This page is intentionally left blank

13 Spare parts - labels

Spare part illustration

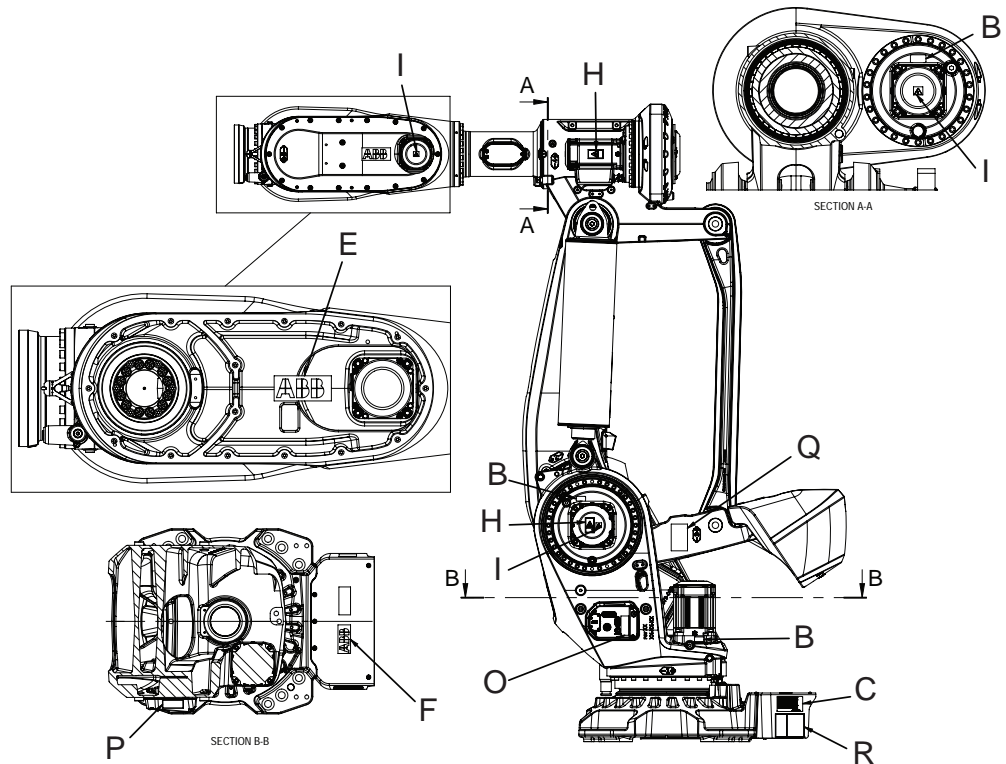


xx240000261

Continues on next page

13 Spare parts - labels

Continued



xx2400000262

	Spare part	Article number	Level
A	Lubrication label Mobilgear 600 XP 320	3HAC021485-001	L1
B	Lubrication label Kyodo Yushi TMO 150	3HAC032726-001	L1
C	Lubrication label	3HAC032905-001	L1
D	ABB logotype label	3HAC0453-4 / 3HAC17765-1	L1
E	ABB logotype label	3HAC0453-1 / 3HAC5089-1	L1
F	ABB logotype label	3HAC0453-5 / 3HAC077301-002	L1
G	Warning label Tipping robot	3HAC9191-1	L1
H	Warning label Hot surface	29454489-16	L1
I	Warning label Electrical (flash)	3HAC1589-1	L1
J	Instruction label Lifting of robot	3HAC086908-001	L1
K	Warning label Stored energy	3HAC065665-001 (3HAC3981-1)	L1
L	Instruction label Before disassembly, see product manual	3HAC4591-1	L1

Continues on next page

	Spare part	Article number	Level
M	ABB information sign	3HAC14257-1	L1
N	Calibration label	3HAC13488-1	L1
O	Instruction label Brake release	3HAC076755-001	L1
P	Warning label / Instruction label Moving robot / MOTORS OFF	3HAC076756-001	L1
Q	Warning label Crush	3HAC4517-1	L1
R	Warning label Extended working range	3HAC021761-001	L1

This page is intentionally left blank

14 Consumables and wear parts

14.1 Wear parts

Wear part list

Spare part	Article number
Lubricating oil	-
O-ring, G 1/2"	3HAC061327-059
O-ring, G 1/4"	3HAC061327-060
Battery pack	3HAC044075-001



ABB AB

Robotics & Discrete Automation

S-721 68 VÄSTERÅS, Sweden

Telephone +46 10-732 50 00

ABB AS

Robotics & Discrete Automation

Nordlysvegen 7, N-4340 BRYNE, Norway

Box 265, N-4349 BRYNE, Norway

Telephone: +47 22 87 2000

ABB Engineering (Shanghai) Ltd.

Robotics & Discrete Automation

No. 4528 Kangxin Highway

PuDong New District

SHANGHAI 201319, China

Telephone: +86 21 6105 6666

ABB Inc.

Robotics & Discrete Automation

1250 Brown Road

Auburn Hills, MI 48326

USA

Telephone: +1 248 391 9000

abb.com/robotics